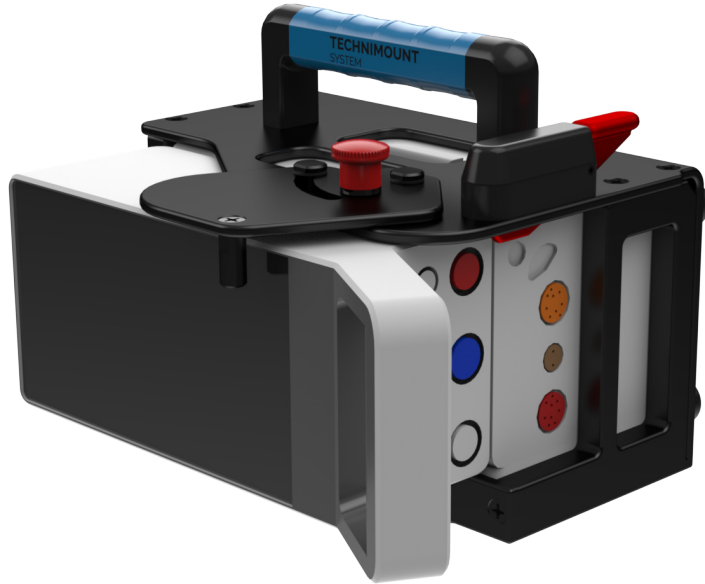




TECHNIMOUNT
EMS®



BRACKET PRO SERIE® 71

MOUNTING SYSTEM FOR THE PHILIPS® INTELLIVUE™ X3 MONITOR

SAFETY AND FLEXIBILITY WHERE IT MATTERS MOST

The Bracket Pro Serie 71 is designed to provide neonatal transport teams with a safe solution to securely transport the Philips IntelliVue X3 monitor and docking solution.

The Bracket Pro Serie 71 is tested in compliance with SAE J3043, the highest industry safety standards for the transport of medical equipment.

At Technimount EMS, we understand that EMS and Critical Care Transport teams need solutions that they can rely on. We design and develop quality mounting systems which are safe and flexible, allowing you to concentrate on what matters most - patient care.



Hospital



Ambulance



Stretcher

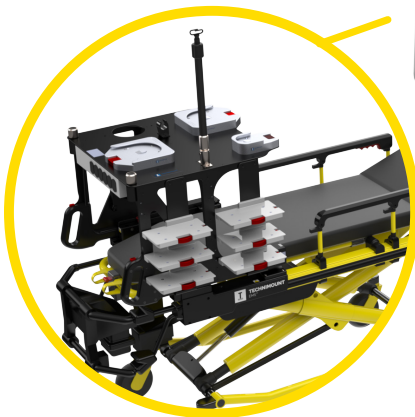
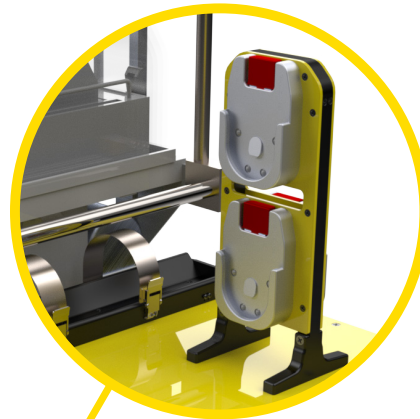
BRACKET PRO SERIE® 71

POTENTIAL CONFIGURATIONS

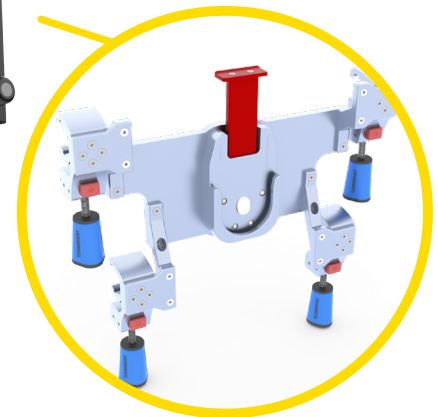
Safety MD Transporter



Vertical Mounting System



Xtension Pro™
Assistant – CCT



Wall Mount
Pro™ - WR



Safety MD
Transporter horizontal

TECHNICAL SPECIFICATIONS

| | |
|--|---|
| Product Name | Bracket Pro Serie® 71 |
| Product Description | Dual disc bracket for Philips of IntelliVue™ X3 for Emergency and Critical Care Transport |
| Compatibility of Medical Device | Philips® IntelliVue™ X3 Monitor, with or without IntelliVue Microstream CO ₂ Extension |
| Environment of Usage | EMS/CCT (Ground) – Hospital/Clinic |
| Product Section Material | <ul style="list-style-type: none">• Main assembly: Aluminum 6061-T6 and acetal• Anti-rotation micro disc: Aluminum 6061-T6• Transport handle: Molded polyurethane |
| Product Finish | <ul style="list-style-type: none">• Main assembly: Black anodized finish• Anti-rotation micro disc: Silver anodized finish |
| Environmental Regulations | RoHS 3 compliant |
| Temperature of Usage | -31° F to 113° F (- 35° C to 45° C) |
| Certification | Tested in compliance with: <ul style="list-style-type: none">• SAE J3043 |
| Installation | Device retained on main assembly with red quick release mechanism |
| Attachment Options | Anti-rotation micro disc and bottom micro disc |
| Transportation System Compatibility | Compatible with Technimount's: <ul style="list-style-type: none">• Safety MD-Transporter (vertical and horizontal)• Vertical mounting system• Micro base• Wall system |
| Features | <ul style="list-style-type: none">• Access to all medical device monitors, connectors and accessories• Molded polyurethane transport handle• Red quick release mechanism for easy installation and removal of medical device• Anti-rotation micro disc for installation on vertical and wall mounting systems• Adjustment plate for installation of monitor with or without IntelliVue Microstream CO₂ Extension• Bottom micro disc allows for 360° rotation when installed on surfaces |
| Physical Overall Dimensions (L x D x H) | 8.59 in x 8.75 in x 7.55 in (20.32 cm x 20.32 cm x 17.78 cm) |
| Weight | 4.27 lb (1.94 kg) |
| Part Number | 330-11-PHX3 |
| Other Models and Configuration Options | Contact Technimount EMS for more information or for other options at customerservice@technimount.com |

Note: Product and medical equipment manufacturer names are Trademarks™ or Registered Trademarks® of their respective holders. Technimount does not have a commercial relationship with these medical equipment manufacturers.

YOUR SAFETY IS OUR PRIORITY

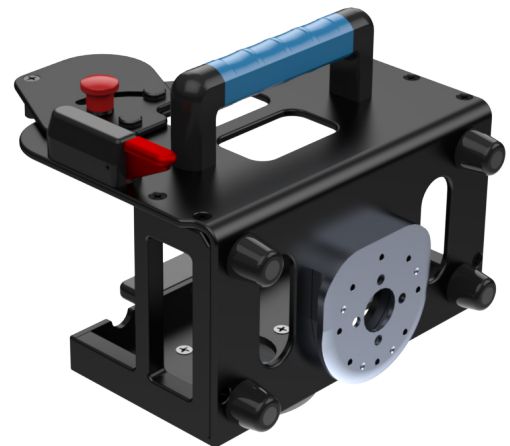


FEATURES

- ✓ Designed for the installation of the IntelliVue X3 monitor with or without its Microstream CO₂ Extension.
- ✓ Anti-rotation micro disc and bottom micro disc allowing various configurations of mounting systems on stretcher and walls.
- ✓ Red quick release mechanism for instant installation and removal of patient monitor.
- ✓ Made from highly resistant aluminium with black anodized finish for added durability and corrosion.
- ✓ Bracket tested in compliance with SAE J3043 the highest industry safety standards for transport of medical equipment.

BENEFITS

- + Safe mounting system to ensure the medical device and its docking solution are secure during patient transport.
- + Quick installation and removal of bracket and access to medical device from all angles (360° rotation).
- + Increases the flexibility of the protocol needs.
- + Minimizes the risks of damage or replacement of the equipment.
- + Improves patient and personnel safety during transport.



SAFETY AND FLEXIBILITY WHERE IT MATTERS MOST

[technimount.com](https://www.technimount.com)



Bracket Pro Serie, Technimount EMS are Registered Trademarks of Technologies System Inc.
Philips and IntelliVue™ are Trademarks of Koninklijke Philips N.V.

© 2023 Technimount E.M.S. Holding Inc. - All Rights Reserved - Printed in Canada

TS-BPT1-202303EN-02