



**TECHNIMOUNT**  
EMS<sup>®</sup>

## **XTENSION PRO<sup>®</sup> NEONATAL**

MOUNTING SYSTEM FOR NEONATAL CRITICAL CARE  
TRANSPORT ON A STRYKER POWER-PRO 2 STRETCHER

---



**SAFETY AND FLEXIBILITY**  
**WHERE IT MATTERS MOST**

# XTENSION PRO<sup>®</sup> NEONATAL

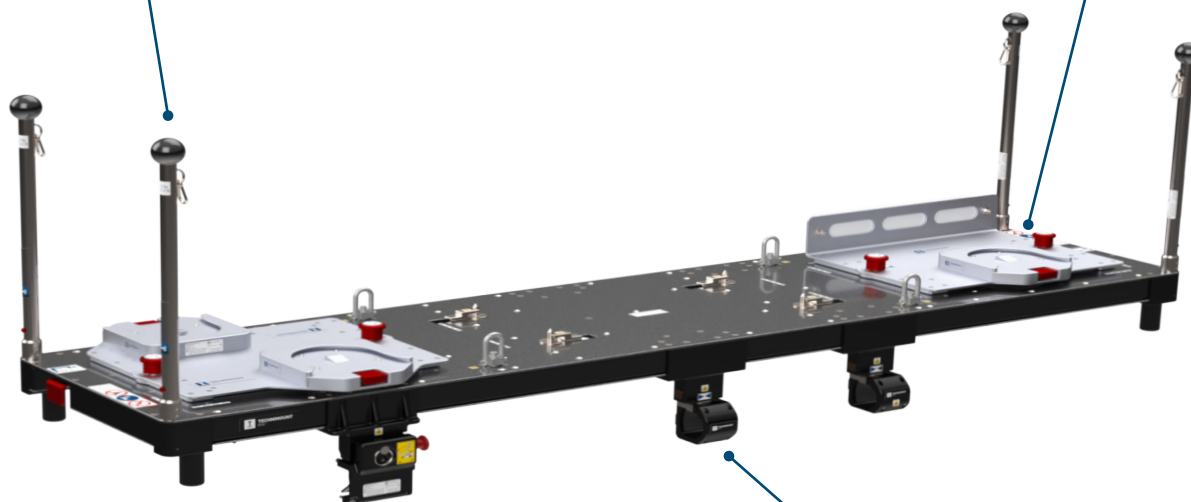
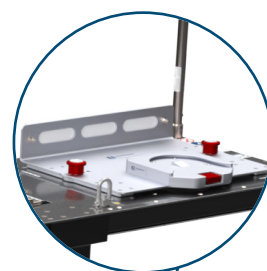
## Product Components

The Xtension Pro<sup>®</sup> Neonatal secures a Dräger incubator and multiple medical devices onto a Stryker Power-Pro 2 stretcher. The system seamlessly converts an emergency-configured stretcher into a fully equipped neonatal CCT stretcher within seconds. Offering remarkable flexibility and modularity, the Xtension Pro Neonatal enhances the safety and efficiency of patient transfers.



Push Bar with Carabiner

Single / Double Mounting Plate with Standard Surface Base



PP2 Clamp Block

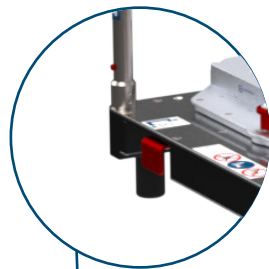
X-Clamp



# XTENSION PRO<sup>®</sup> NEONATAL

## Product Components

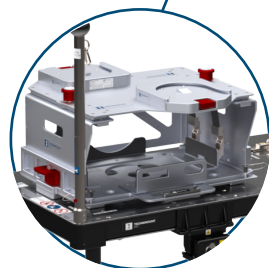
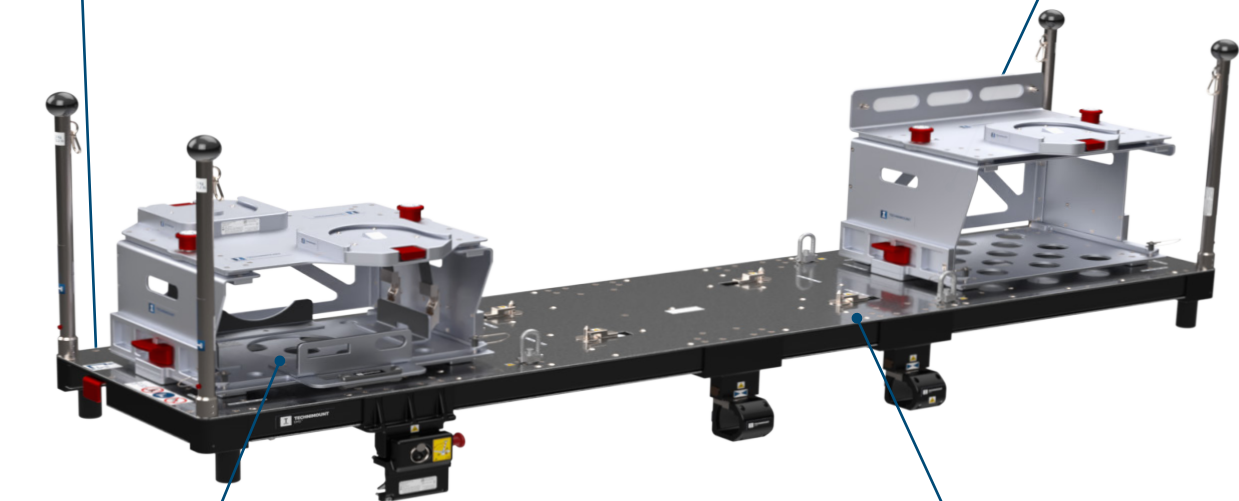
The Xtension Pro Neonatal is designed to accommodate existing hospital equipment, allowing consistent and high-quality care during patient transfers without having to replace current devices. By incorporating Technimount's renowned technology, including the Standard Surface Base and quick release mechanism, the stretcher mounting system ensures medical devices to remain accessible, visible and easy to install and remove at all times.



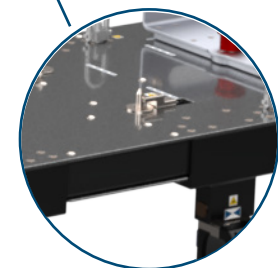
Quick Release Latch



Power Bar



Specialized Device Bracket (Optional)\*



Incubator anchor

# XTENSION PRO® NEONATAL

## Highlights

### FEATURES & BENEFITS

- Safe transport of the Dräger Isolette TI500 incubator and multiple medical devices.
- Quick interchangeability from an emergency stretcher configuration to a neonatal Critical Care stretcher configuration and back again in seconds using X-Clamp technology.
- Platform that accommodates diverse medical device configurations needed for neonates.
- Allows full access and visibility to the the medical devices' screens, connectors and tubings at all times, helping maintain vital connections for the patient.
- Quick release mechanisms for the installation and removal of the Xtension Pro® Neonatal, incubator, brackets, mounting plates and medical devices.
- Single and double-base mounting plates for enhanced positioning of medical devices.
- Rotary locks to secure and easily remove the mounting plates
- Anchor points to ensure quick and easy installation of the incubator
- Integrated hoist rings to lift the platform if needed.
- Facilitates handling and maintenance of medical devices
- Allows a continuum of care and increases newborn safety.
- Tested in compliance with SAE J3043 and AMD 028, the most rigorous safety standards.

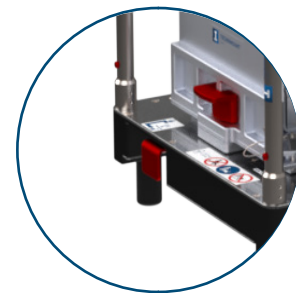
## X-Clamp™ Technology

The Xtension Pro Neonatal integrates the X-Clamp technology, the most advanced member of Technimount EMS' clamping system family, which allows for the conversion of an emergency-configured stretcher into a fully equipped neonatal critical care transport stretcher. This technology enables unparalleled interchangeability for efficient patient transfers.

The X-Clamp Technology is a complete system that is activated by unlocking our innovative quick release latch. Located at patient's head end, the latch releases the Xtension Pro Neonatal platform from the stretcher.



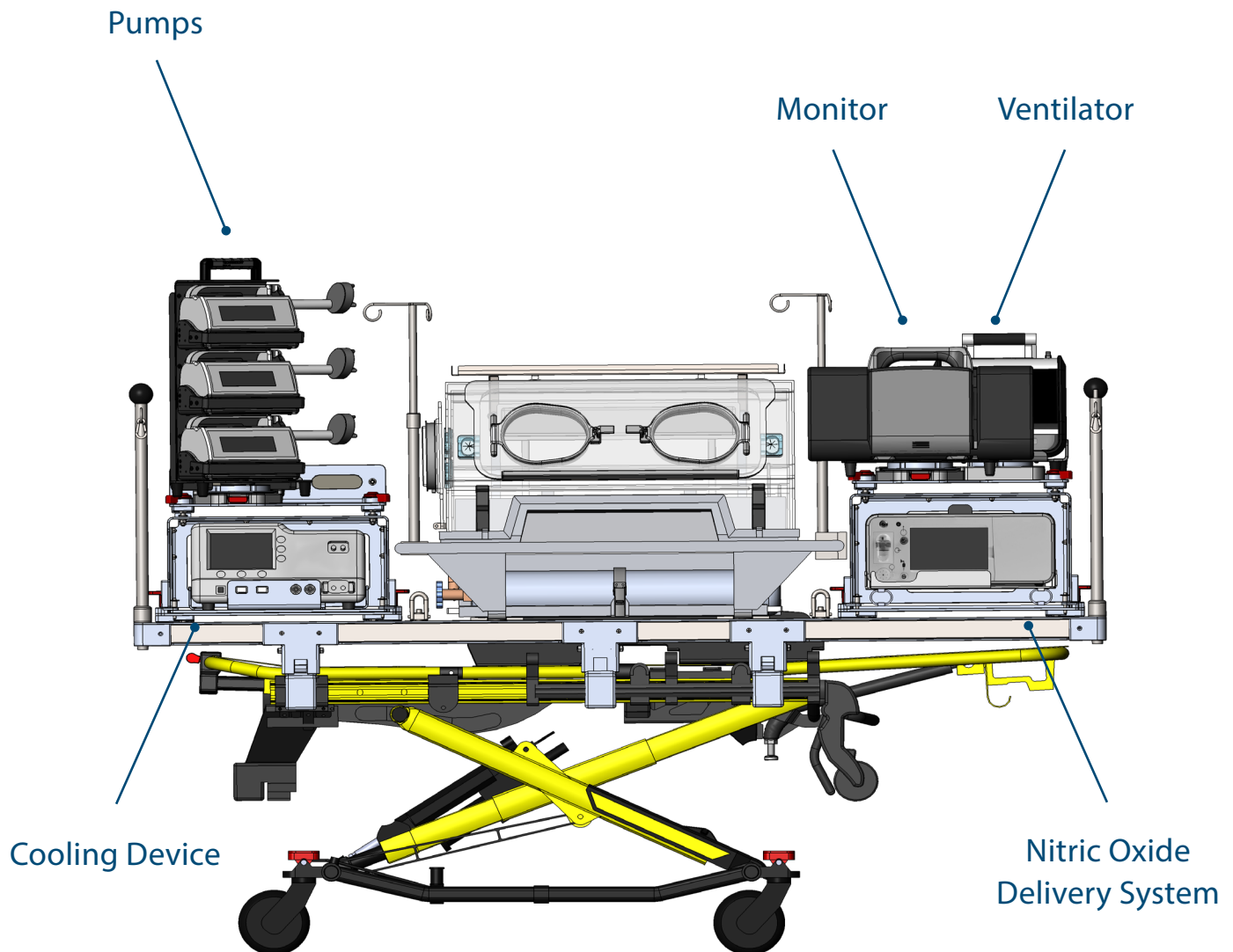
## X-Clamp Technology



# XTENSION PRO® NEONATAL

## Possible Configurations

The Xtension Pro Neonatal features an interchangeable single and double plate mounting base and optional specialized device brackets, providing flexibility for various medical device configurations. With a broad range of compatible devices including pumps, ventilators, and monitors, the system delivers adaptability to meet your specific needs.



# XTENSION PRO® NEONATAL

## Technical Specifications

Product Name	Xtension Pro® Neonatal
Description	Mounting solution designed to aid EMS and clinical personnel secure the Draeger Isolette® TI500 incubator and the multiple medical devices that are essential to patient care during ground EMS transport or interhospital transfers on a Stryker® Power-PRO™ 2 stretcher
Product Code	2910-00-ISO-PRO2
Features	<ul style="list-style-type: none"><li>- Quick release mechanisms for the installation and removal of the Xtension Pro® Neonatal, incubator, brackets, mounting plates and medical devices</li><li>- Interchangeability between medical devices, brackets and mounting plates</li><li>- Push bars at patient foot/head end</li><li>- Medical grade power bar with surge protection</li></ul>
Operating Environment	EMS/CCT (ground)
Compliance	<ul style="list-style-type: none"><li>- Tested in compliance with SAE J3027 &amp; EN1789</li><li>- Tested in compliance with SAE J3043 &amp; AMD-028</li></ul>
Compatible Stretcher	- Stryker® Power-PRO™ 2
Compatible Incubator	Dräger Isolette® TI500
Compatible Mounting System	<ul style="list-style-type: none"><li>- Bracket Pro Serie® mounting systems with standard bottom discs</li><li>- Converter Pro</li></ul>
Dimensions (L X P X H)	<ul style="list-style-type: none"><li>- Mounting solution: 82 in. X 20.5 in. X 6.54 in. (208.28 cm X 52.07 cm X 16.61 cm)</li><li>- X-Clamp: 3.39 in. X 2.63 in. X 4.22 in. (8.61 cm X 6.68 cm X 10.72 cm)</li><li>- PP2 Clamp block: 5.71 in. X 4 in. X 5.3 in. (14.5 cm X 10.16 cm X 13.46 cm)</li><li>- Single-base mounting plate: 18.75 in. X 15.66 in. X 4.72 in. (47.63 cm X 50.44 cm X 12.01 cm)</li><li>- Double-base mounting plate: 18.75 in. X 20.25 in. X 2.5 in. (47.63 cm X 51.44 cm X 6.35 cm)</li><li>- Push bar: 23.62 in. X 2 in. X 2 in. (60.01 cm X 5.08 cm X 5.08 cm)</li></ul>

# XTENSION PRO® NEONATAL

## Technical Specifications

Weight	<ul style="list-style-type: none"><li>- Mounting solution: 116 lb (52.62 kg)</li><li>- X-Clamp: 2 lb (0.91 kg), each (4X)</li><li>- PP2 clamp block: 3.5 lb (1.59 kg), each (2X)</li><li>- Single-base mounting plate: 10.7 lb (4.85 kg)</li><li>- Double-base mounting plate: 12.4 lb (5.62 kg)</li><li>- Push bars: 2.22 lb (1 kg), each (4X)</li></ul>
Composition	<ul style="list-style-type: none"><li>- Mounting solution: aluminum 6061-T6 with anodized finish, powder coated aluminum 6061-T6, steel 50W with e-coating, passivated stainless steel 17-4PH, passivated stainless steel 304, acetal, nylon, bronze SAE 841</li><li>- Self-lubricating</li><li>- Push bars: aluminum 6061-T6 with anodized finish, passivated stainless steel 304</li><li>- X-Clamps: aluminum 6061-T6 with anodized finish, stainless steel 17-4PH</li><li>- PP2 clamp blocks: aluminum 6061-T6 with anodized finish</li><li>- Single-base/Double-base mounting plates: aluminum 6061-T6 with anodized finish, passivated stainless steel 17-4PH, stainless steel 304</li></ul>
Safe Working Load (SWL)	<ul style="list-style-type: none"><li>- Xtension Pro® Neonatal (without stretcher): 359 lb (162 kg) total, 90 lb (40.82 kg) for the head section, 147 lb (66.68 kg) for the mid-section and 102 lb (46.27 kg) for the foot section</li><li>- Single-base mounting plate: 25 lb (11.34 kg)</li><li>- Double-base mounting plate: 47 lb (21.32 kg)</li><li>- Push bars: 1 L or 1 kg (33.81 fl oz or 2.2 lb), per bar (4X)</li></ul>
Operating Temperature	<ul style="list-style-type: none"><li>- 31° F to 113° F (- 35° C to 45° C)</li></ul>
Installation	<ul style="list-style-type: none"><li>- The system is installed and secured by clamp blocks and locking pins on the stretcher siderails and a locking latch located at patient head end</li><li>- The incubator is installed on the system and secured by anchors on the mounting solution and a locking latch located at patient foot end</li><li>- Mounting plates are secured on the system by quick release mechanisms</li><li>- Medical devices are secured on the mounting plate(s) and secured in the Standard Surface Base(s)</li><li>- Push bars installed and secured by quick release mechanisms</li></ul>
Model & Configuration Options	Contact Customer Service at <a href="mailto:customerservice@technimount.com">customerservice@technimount.com</a> for more options
Compatible brackets, Accessories & Medical Equipment	Contact Customer Service at <a href="mailto:customerservice@technimount.com">customerservice@technimount.com</a> for more compatible options





**TECHNIMOUNT**  
EMS®

At Technimount EMS, our dedication revolves around addressing the operational requirements of EMS and healthcare professionals, deeply embedded in our mission. Originating in 2013, the Technimount EMS mounting system was conceived to promptly meet a critical demand within the industry. Our company's distinct vision commenced with the introduction of a universal standard surface base, coupled with meticulously designed brackets featuring advanced safety attributes tailored for a myriad of medical devices.

Leveraging our unparalleled universal mounting system, capable of accommodating multiple brands, models, and applications of medical equipment, we facilitate seamless integration within ambulances, stretchers, and cots across hospital, EMS, and military settings.

Driven by innovation, Technimount EMS is committed to design solutions that precisely address the distinctive device management requisites of emergency and critical care transport teams, whether on ground or in air ambulances. Safety stands as the cornerstone of our values, with all our solutions undergoing rigorous testing to adhere to the highest industry standards for impact resistance. Our unwavering commitment extends to continuously developing cutting-edge solutions in tandem with the evolution of healthcare practices.

### Technimount E.M.S. Holding INC.

Corporate Headquarters  
3770 Jean Marchand Street, Suite 100-C  
Quebec (QC) G2C 1Y6  
Canada  
T +1 581.700.6583  
TF +1 888.521.0871  
info@technimount.com  
technimount.com

