



### Intended Use

This quick installation procedure is intended to assist you with the installation of the Techni-IV Pole and its strap on a Technimount Xtension Pro™ Assistant CCT/ECMO mobile structure.

Product and medical device manufacturer names are Trademarks™ or Registered Trademarks® of their respective holders. Technimount does not have a commercial relationship with these medical device manufacturers.

Image references within this document may differ from actual product. For more information or to ensure product options and availability, please contact Technical Support at [techsupport@technimount.com](mailto:techsupport@technimount.com).

### Technimount E.M.S. Holding Inc.

C/O: Regulatory Affairs  
3770 Jean Marchand Street, Suite 100-C  
Quebec (QC) G2C 1Y6  
Canada  
[www.technimount.com](http://www.technimount.com)  
T + 1 581.700.6613  
TF + 1 888.639.2758 (North America)

### Unpack the Techni-IV Pole

1. Inspect the shipping box(es) for signs of damages, before accepting shipment. Take pictures and report them promptly if applicable.
2. Move the shipping box(es) to the location of the installation.
3. Open the shipping box(es).
4. Unpack the box(es) and ensure that all shipping and packaging materials have been properly removed, prior to installation.

**NOTE:** Keep all packaging material for future use.

5. Identify all the components and hardware included for the installation, then set aside. Refer to the "Safety Measures" section for details.
6. Inspect the items for signs of damages. Take pictures and report them promptly if applicable.

## Safety Measures



### **WARNING** - Part Breakage

**Do not** use powered tools to screw the hardware during installation, as there is a potential risk of damage to the threads.



### **WARNING** - Risk of Injury

Regulations and standards for safety are the sole responsibility of the end user. Ensure that the installation specifications meet the local and regional compliance requirements before use. Product incompatibility could cause unpredictable functioning resulting in injury to the patients or EMS personnel.



### **CAUTION** - Safe Handling and Operation

- **Do not** modify the product, or any of its components and install only as described in this user manual. Modifying the product or improper installation could cause unpredictable functioning, resulting in injury to the patients or EMS personnel.
- The administrator is responsible for providing proper training to any personnel who will install, operate and perform maintenance on Technimount products.
- Improper installation of the Technimount product may damage the device or cause injury to the patients or EMS personnel.
- If any serious incident occurs with the mounting solution, immediately stop using the product, report this incident to Technical Support at [technicalsupport@technimount.com](mailto:technicalsupport@technimount.com) and the applicable regulatory agency.



### **CAUTION** - Working Load/Load Balance

The Techni-IV Pole is approved for ambulance transport. The maximum weight capacity approved for transport is 1.5 L or 1.5 kg (50 fl oz or 3.3 lbs).



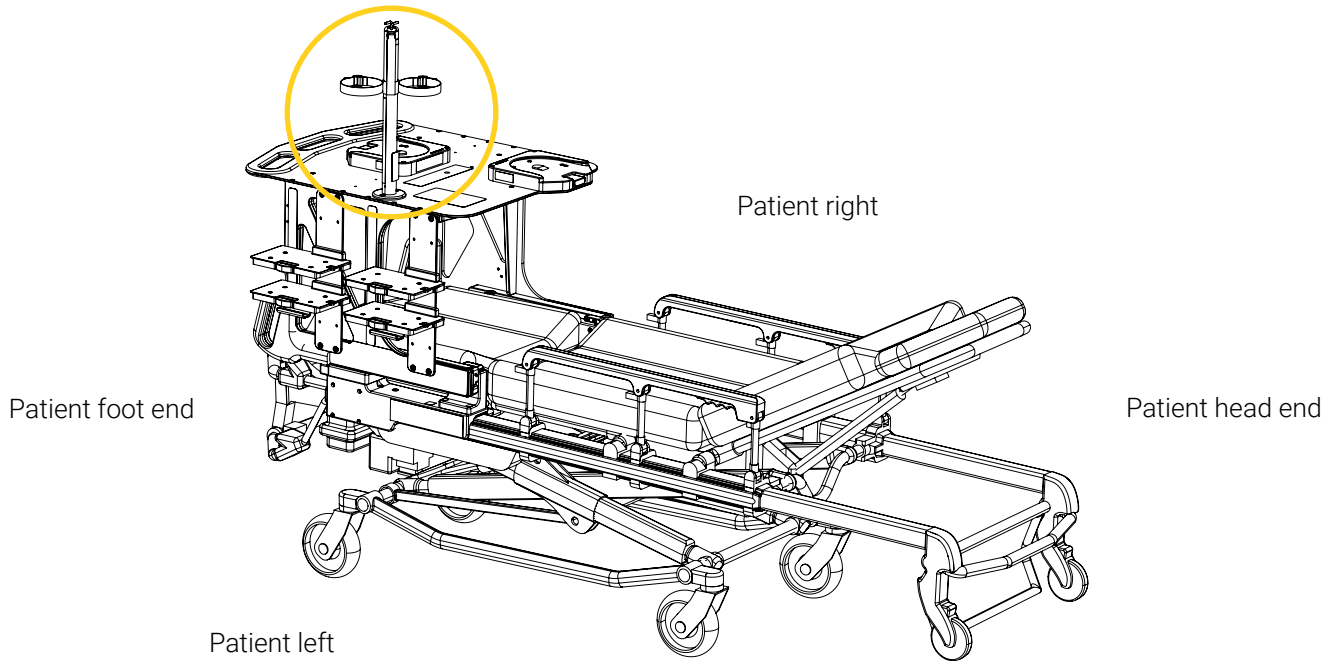
### **CAUTION** - Follow Instructions for Use

- Always read and abide by all the safety guidelines identified, as well as follow instructions provided within this document.
- Refer to the stretcher's user manual for safety precautions and user instructions for the safe use of the Stryker® Power-PRO™ XT.

## Required Tools

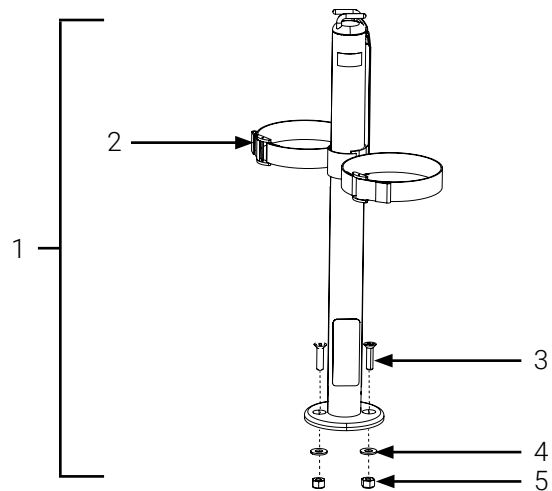
- Phillips screwdriver #2
- Key 7/16 in.

**Stretcher Orientation and Techni-IV Pole Position**



**Figure 1:** Stretcher orientation and Techni-IV Pole position (patient left shown here)

**Required Parts**

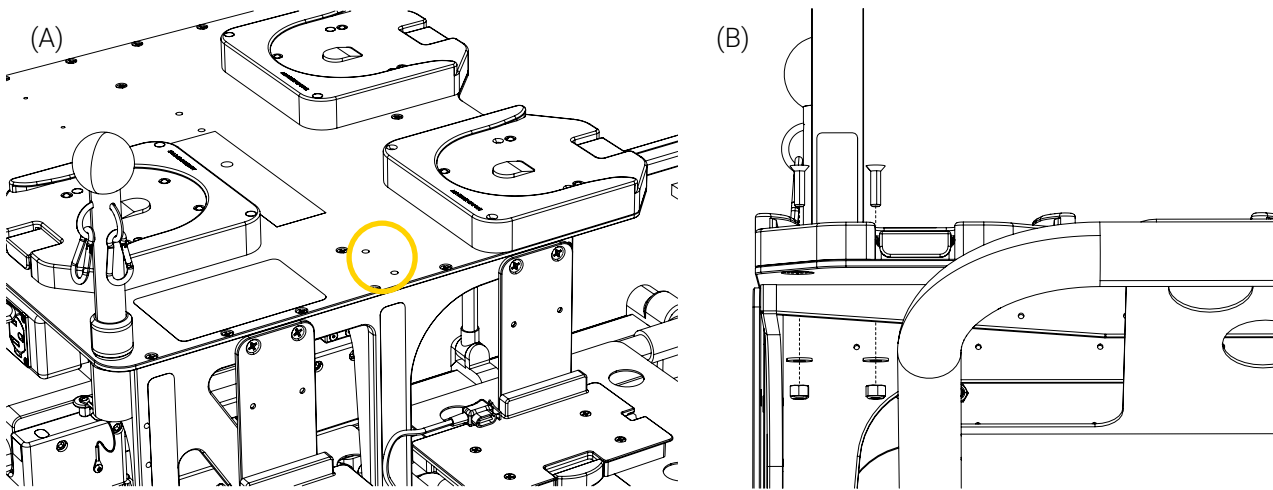


- |   |                                      |
|---|--------------------------------------|
| 1. Techni-IV Pole   | 4. Washers (2X)                      |
| 2. Strap  | 5. Nylon-insert locknuts ¼ - 20 (2X) |
| 3. Flat head Phillips drive screws<br>¼ - 20 X 1 in. (2X) |                                      |

**Figure 2:** Techni-IV Pole and strap

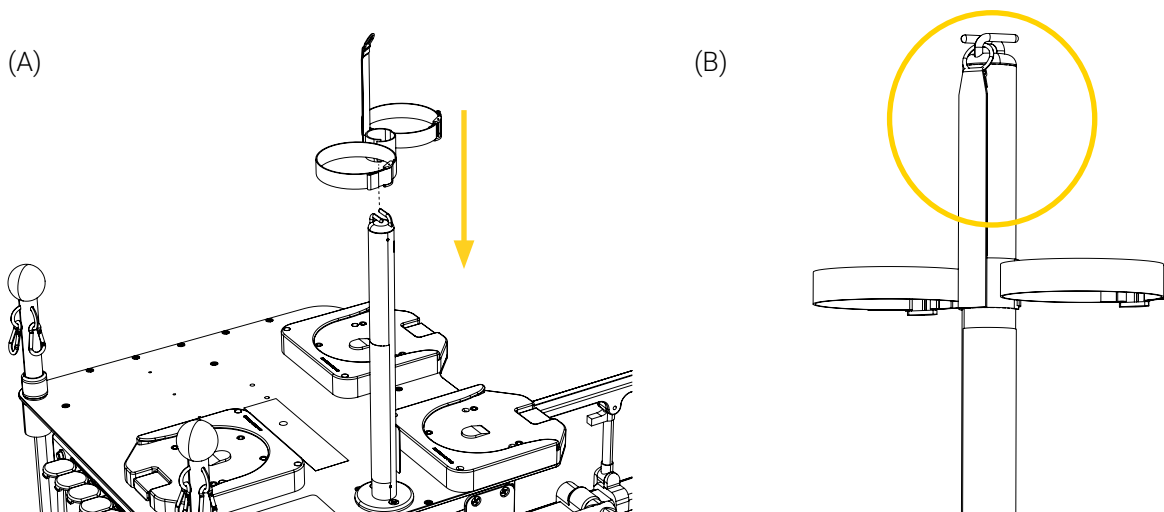
### Install the Techni-IV Pole

1. Locate the two (2) holes on the mobile structure top plate intended for the installation of the Techni-IV Pole (Figure 3 A).
2. Place the Techni-IV Pole on the mobile structure top plate aligning the screw holes, then insert the two (2) screws (Figure 3 B).
3. From under the mobile structure top plate, insert a washer and locknut on each screw, then tighten the screws while holding the locknuts using a key 7/16 in. and Phillips screwdriver #2 (Figure 3 B).



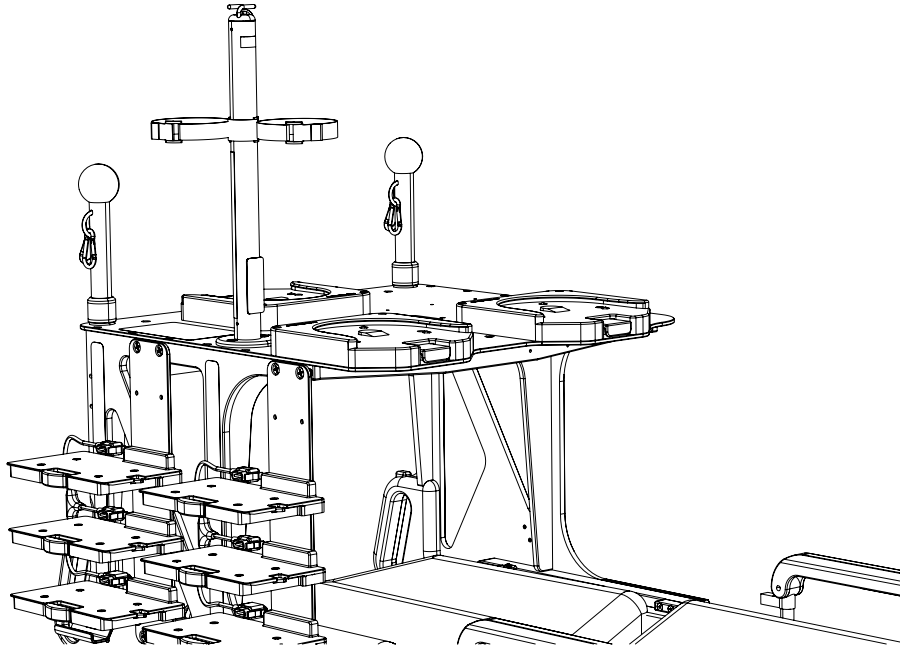
**Figure 3:** Installing the Techni-IV Pole

4. Insert the center loop of the strap on the Techni-IV Pole (Figure 4 A).
5. Hook the eyelet at the end of the strap into one of hooks at the top of the Techni-IV Pole to install (Figure 4 B).



**Figure 4:** Installing the Techni-IV Pole strap

6. Adjust the size of the Techni-IV Pole using the strap buckles, depending on the size of the IV bags used (Figure 5).



**Figure 5:** Techni-IV Pole and strp installed

The installation of the Techni-IV Pole and its strap is complete.