



TECHNIMOUNT
EMS[®]

BRACKET PRO SERIE[®] 221

OPERATING GUIDE

SAFETY AND FLEXIBILITY
WHERE IT MATTERS MOST



Copyrights

Copyright 2023 Technimount E.M.S. Holding Inc. (Technimount EMS) is an affiliated company of Technologies CGC Inc. All Rights Reserved. No part of this publication may be reproduced, transmitted, transcribed, stored in a retrieval system, translated in any language, modified in any form or by any means, without the written permission of Technimount or its affiliate companies.

Trademarks

Product and medical device manufacturer names are Trademarks™ or Registered Trademarks® of their respective holders. Technimount does not have a commercial relationship with these medical device manufacturers.

- Technimount EMS® is a registered trademark of Technologies CGC Inc.
- Bracket Pro Serie® and Safety MD-Transporter® are registered trademarks of Technologies CGC Inc.
- Plum 360™ is a trademark of ICU Medical Inc.

For any issues with your Technimount product, its components, or for any technical questions during the installation, operation, or maintenance, please contact Technical Support at techsupport@technimount.com.

Contact Information

Technimount E.M.S. Holding Inc.

C/O: Regulatory Affairs

3770 Jean Marchand Street, Suite 100-C

Quebec (QC) G2C 1Y6

Canada

customerservice@technimount.com

techsupport@technimount.com

legal@technimount.com

www.technimount.com

T + 1 581.700.6613

TF + 1 888.639.2758 (North America)

Table of Contents

Copyrights	ii
Trademarks	ii
Contact Information	ii
1. Safety Guidelines	4
2. Operate the Bracket Pro Serie 221	5
..... 2.1. Install the Plum 360 in the Bracket Pro Serie 221	6
..... 2.2. Remove the Plum 360 from the Bracket Pro Serie 221	8
3. Perform the Daily Safety Checks	9
..... 3.1. Required Tools.....	9
..... 3.2. Daily Safety Checks	9
..... 3.3. Illustrated Inspection Points	11

1. Safety Guidelines



WARNING - General Warning

- **Do not** perform safety checks on Technimount products, before receiving proper training.
- Perform the safety checks, as described in this operating guide. Failing to follow the recommended guidelines could cause premature damage to the product.



CAUTION - Safe Handling and Operation

- Improper use of the Technimount product may damage the device or cause injury to the patients or EMS personnel.
- If any serious incident occurs with the mounting system, immediately stop using the product, report this incident to Technical Support at technicalsupport@technimount.com and the applicable regulatory agency.



CAUTION - Safe Practice

- Always pay close attention to the condition of the safety mechanisms, to prevent undue risk to the device, patients and EMS personnel. Follow the recommended guidelines as described in this document.
- Keep this document with the product at all times.



CAUTION - Working Load/Load Balance

Do not overload the system. The Safe Working Load (SWL) is 10 lb (4.5 kg).



CAUTION - Follow Instructions for Use

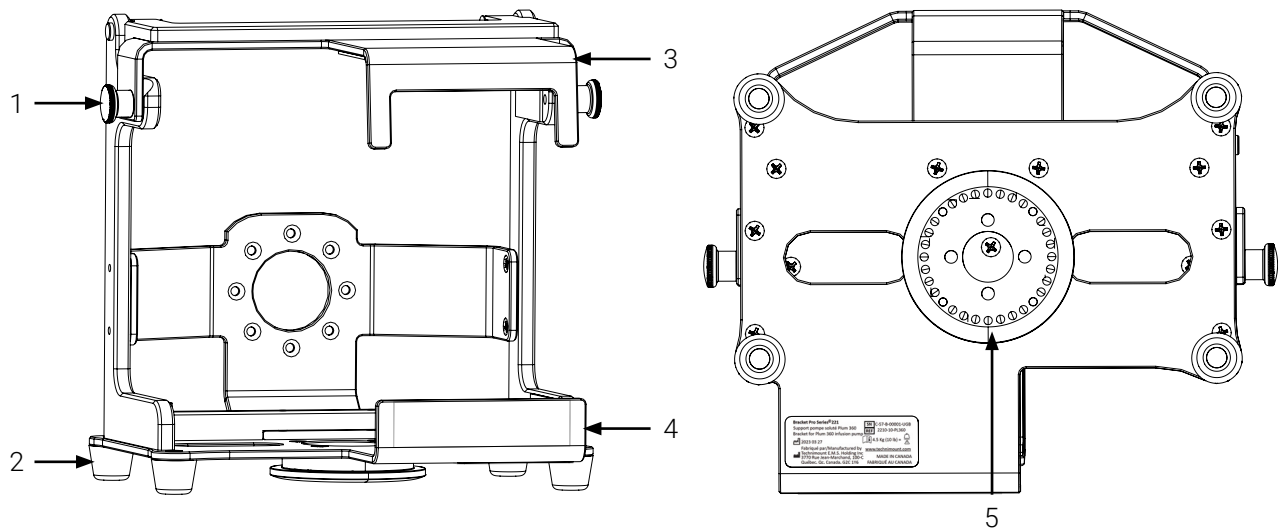
- Always read and abide by all the safety guidelines identified, as well as follow instructions provided within this document.
- Refer to the manufacturer's user manual for safety precautions and user instructions for the safe use of the Plum 360™ infusion pump.

2. Operate the Bracket Pro Serie 221

This Operating Guide is used to help EMS personnel effectively secure the Plum 360™ infusion pump in the Bracket Pro Serie 221 during EMS and critical care transport. For detailed product information that is not user related, refer to your supervisor or the user manual when required.

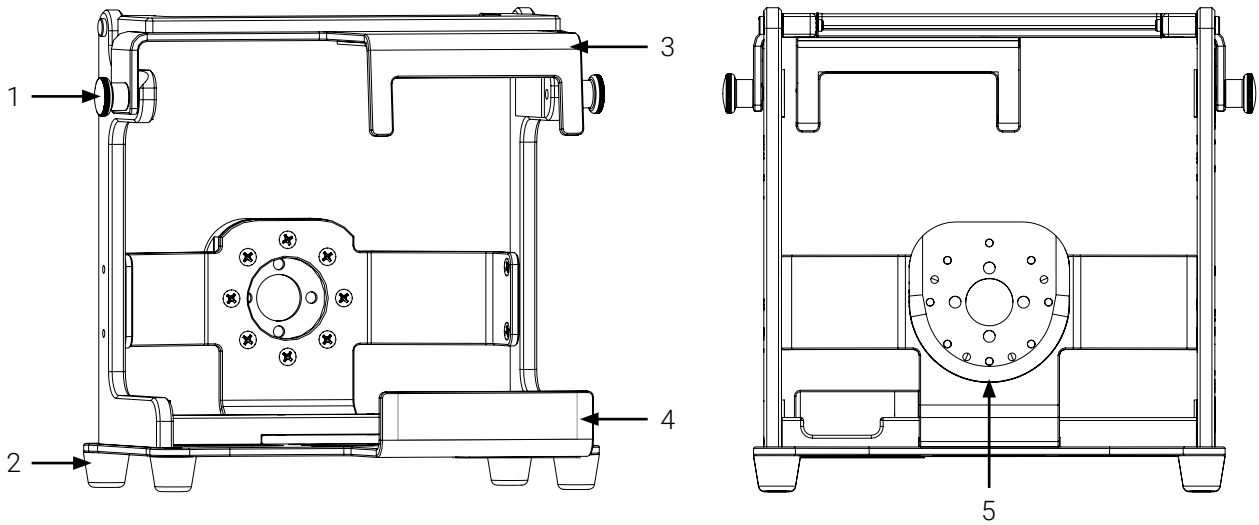
NOTE: Always perform the Safety checks **before** using the Bracket Pro Serie 221. Refer to the "Daily Safety Checks" on page 9 before each use.

NOTE: Technimount continually seeks advancements in product design and quality. While this operating guide contains the most updated product information available at the time of printing, it may contain minor differences from the current version. For more information, please contact Customer Service at customerservice@technimount.com.



- | | |
|---------------------------------|---------------|
| 1. Quick release mechanism (2X) | 4. Front fold |
| 2. Foot (4X) | 5. Micro disc |
| 3. Top of bracket | |

Figure 1: Bracket Pro Serie 221 with bottom mount (front and bottom illustrated)



- | | |
|---------------------------------|-----------------------------|
| 1. Quick release mechanism (2X) | 4. Front fold |
| 2. Foot (4X) | 5. Anti-rotation micro disc |
| 3. Top of the bracket | |

Figure 2: Bracket Pro Serie 221 with rear mount (front and rear illustrated)

2.1. Install the Plum 360 in the Bracket Pro Serie 221

1. If the bracket is closed (locked), pull the 2 quick release mechanism knobs to disengage the top, then lift the top upwards until it has reached its final position (Figure 3).

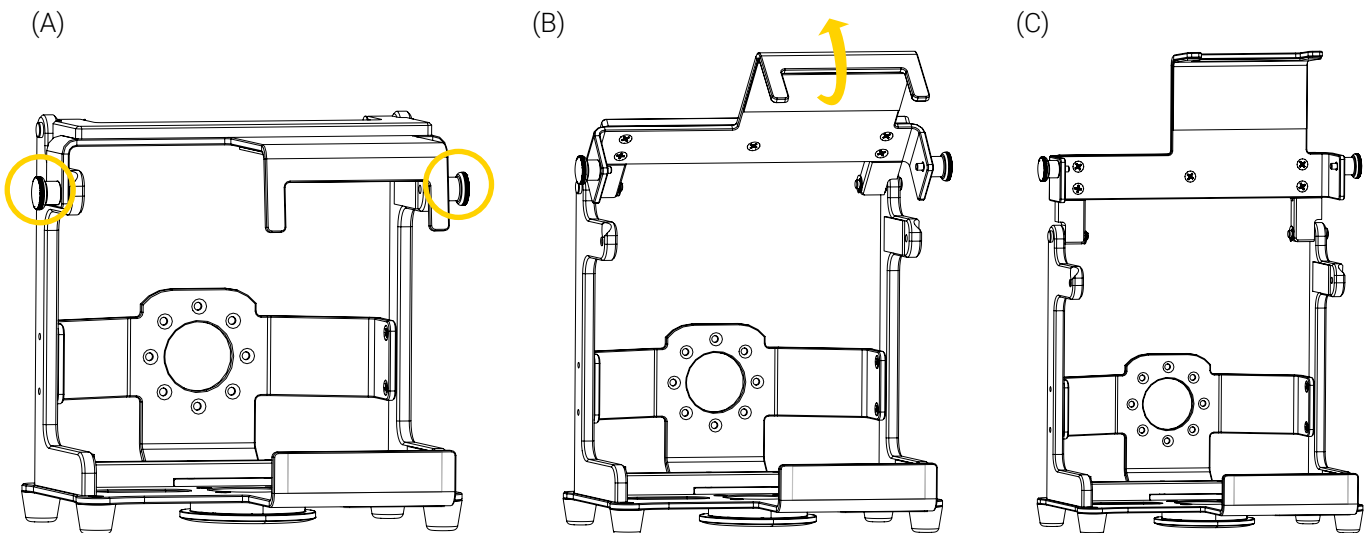


Figure 3: Unlocking/Opening the Bracket Pro Serie 221

2. Insert the pump in the bracket at an angle and lean it against the front fold of the bracket, ensuring that it is centered inside the mounting system (Figure 4 A and Figure 4 B).
3. Tilt the pump in an upright position in the bracket (Figure 4 C).

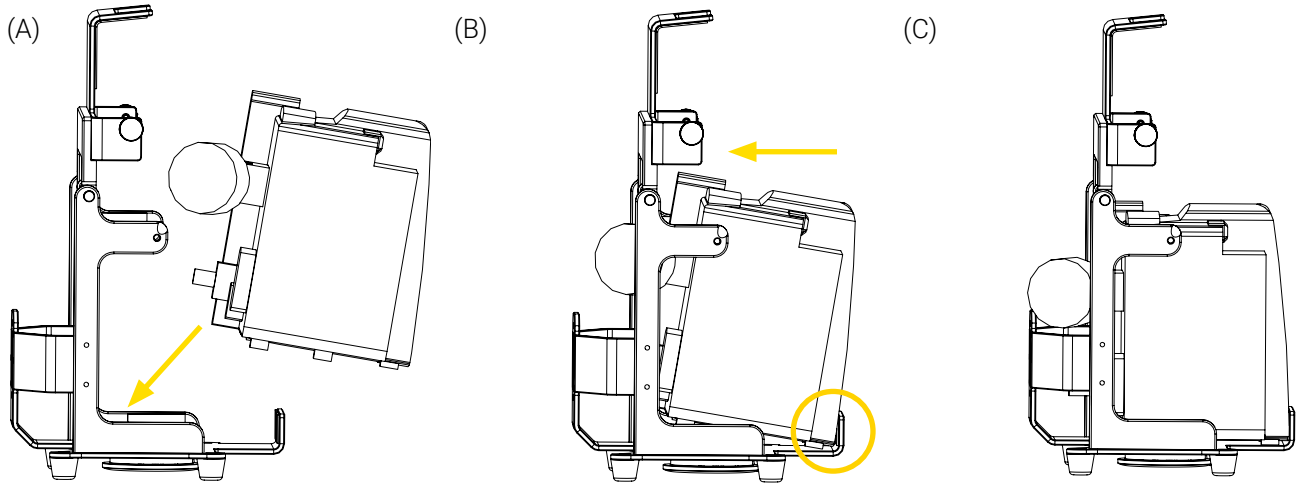


Figure 4: Installing the Plum 360 in the Bracket Pro Serie 221

4. Lower the top over the infusion pump (Figure 5 A), then press down on the top until you hear the click sound of the quick release mechanisms inserting in the bracket (Figure 5 B).
5. Move the top of the bracket up and down a few times to make sure the bracket is locked and the pump secured in the holder.

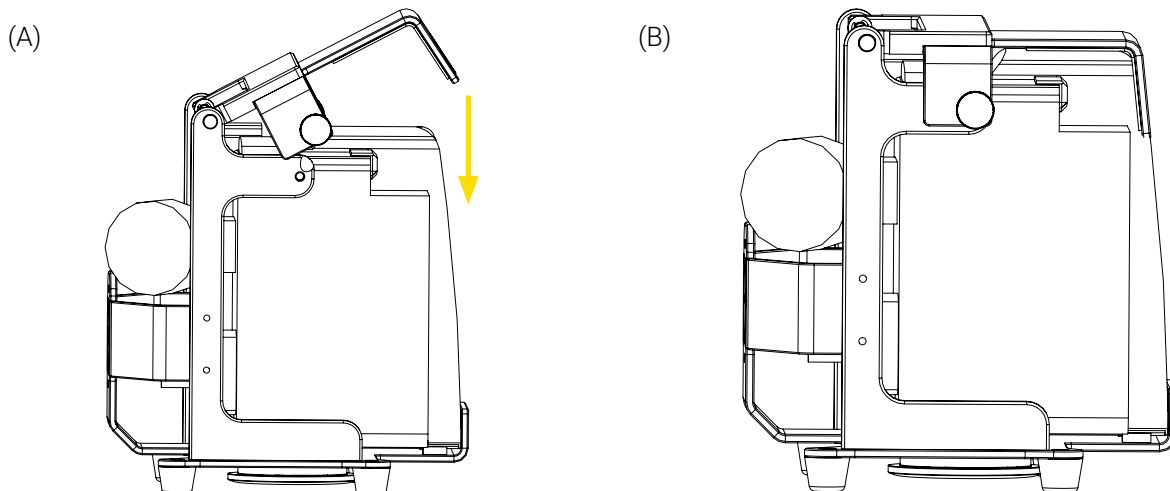


Figure 5: Plum 360 installed in the Bracket Pro Serie 221

The installation of the PLUM 360 in the Bracket Pro Serie 221 is complete.

2.2. Remove the Plum 360 from the Bracket Pro Serie 221

1. If needed, unplug the infusion pump.
2. Pull the 2 quick release mechanism knobs to disengage the top (Figure 6 A), then lift the top upwards until it has reached its final position (Figure 6 B and Figure 6 C).

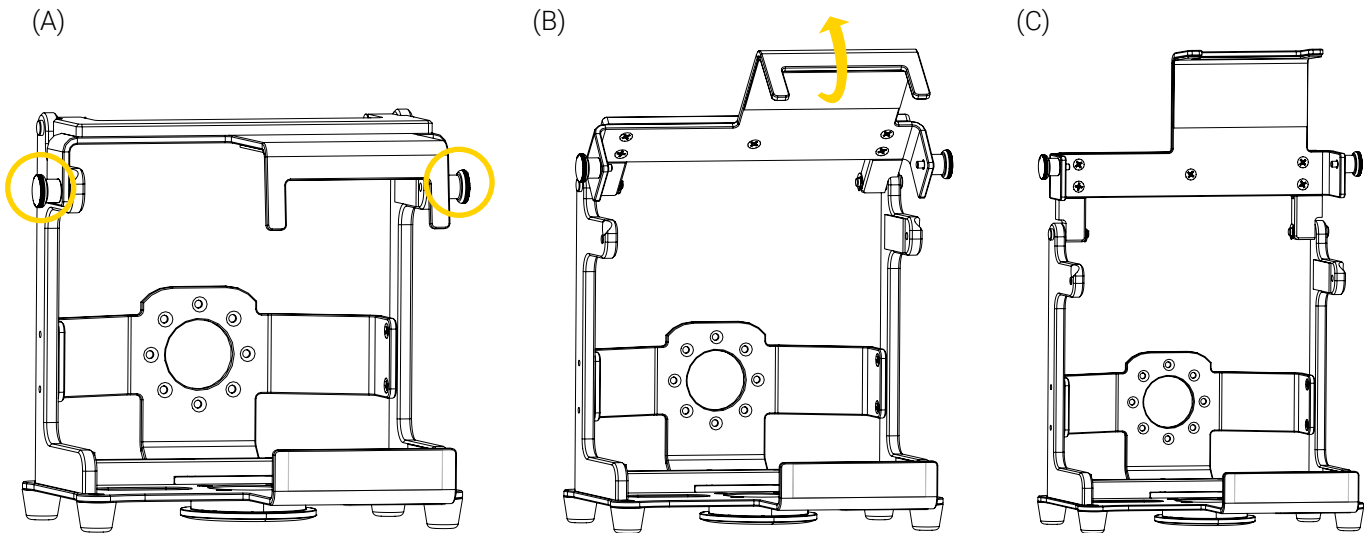


Figure 6: Removing the Plum 360 from the Bracket Pro Serie 221

3. Tilt the pump forward, leaning it on the front fold of the bracket (Figure 7 A).
4. Lift to remove the pump from the bracket (Figure 7 B and Figure 7 C), then set it aside.

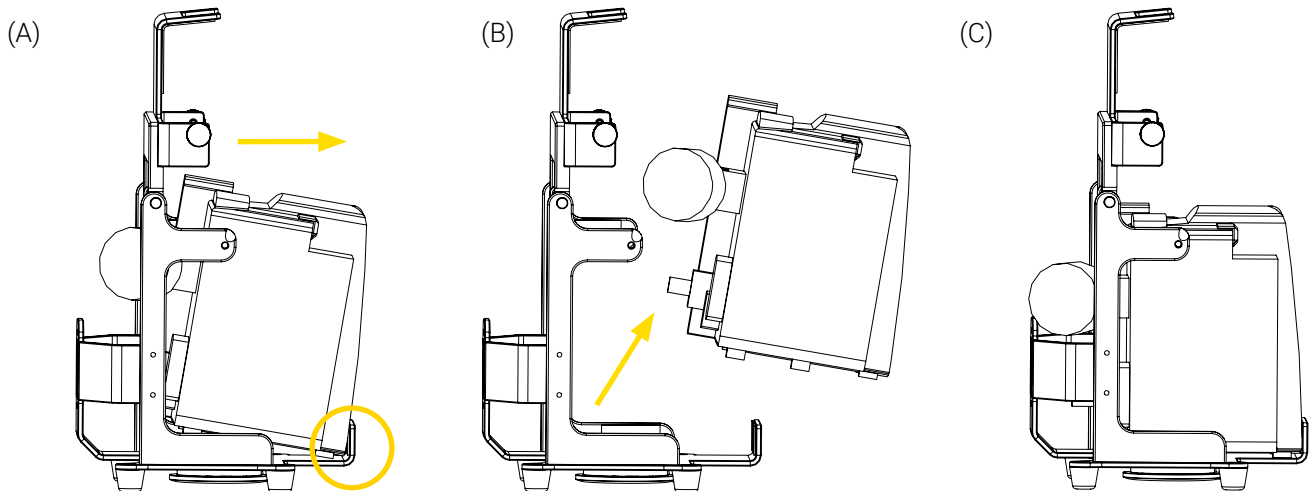


Figure 7: Plum 360 removed from the Bracket Pro Serie 221

The removal of the PLUM 360 in the Bracket Pro Serie 221 is complete.

3. Perform the Daily Safety Checks

Daily safety checks on Technimount products are recommended to keep them in good condition and avoid failure or injury to the patient or EMS personnel. EMS personnel should perform the daily safety checks at the beginning of each work shift.

NOTE: Always keep records of your all maintenance activities and immediately remove defective or expired products from your inventory.

Please contact Technical Support at techsupport@technimount.com for replacement parts or repair related issues.

3.1. Required Tools

- Clean dry cloth

3.2. Daily Safety Checks

Refer to the illustrated inspection points (Figure 8 and Figure 9), if needed.

NOTE: In case of a non-conformity, alert the maintenance supervisor of all non-compliances and immediately cease use.

DAILY SAFETY CHECKS	COMPLIANT	
	YES	NO
INSPECTIONS		
Bracket Pro Serie 221 (Figure 8 and Figure 9)		
- Visually inspect all the components of the bracket to ensure there is no damage or chemical attack, that the hardware is in good condition and there are no loose screws.	<input type="checkbox"/>	<input type="checkbox"/>
- Visually inspect the bracket and make sure there are no lodged particles. If so, immediately remove using a clean dry cloth.	<input type="checkbox"/>	<input type="checkbox"/>
Top (Figure 8 and Figure 9)		
- Visually inspect all the components of the top to ensure there is no damage or chemical attack and that the hardware is in good condition.	<input type="checkbox"/>	<input type="checkbox"/>
- Pull and release the quick release mechanisms and make sure of proper functioning (lock/unlock). The mechanisms should spring in and out without resistance.	<input type="checkbox"/>	<input type="checkbox"/>
- Once unlocked, lift and lower the top to make sure there is no interference or lodged particles. If so, immediately remove using a clean dry cloth.	<input type="checkbox"/>	<input type="checkbox"/>
- Lower the top to lock it, then pull upwards to make sure the locking mechanisms are functional. If not, immediately cease use and alert the maintenance supervisor.	<input type="checkbox"/>	<input type="checkbox"/>
Micro disc/Anti-Rotation Micro Disc (Figure 7 and Figure 9)		
- Visually inspect all the components of the micro disc/anti-rotation micro disc to ensure there is no damage or chemical attack and that the hardware is in good condition.	<input type="checkbox"/>	<input type="checkbox"/>
- Visually inspect the rim of the micro disc/anti-rotation micro disc and make sure there are no lodged particles. If so, immediately remove using a clean dry cloth.	<input type="checkbox"/>	<input type="checkbox"/>



DAILY SAFETY CHECKS	COMPLIANT	
	YES	NO
INSPECTIONS		
<ul style="list-style-type: none"> - Insert/remove the micro disc on the micro base a few times to ensure proper functioning. The Bracket Pro Serie 221 should be easily inserted and locked in position after the click sound and easily removed when using the quick release mechanisms. 	<input type="checkbox"/>	<input type="checkbox"/>
<ul style="list-style-type: none"> - Insert/remove the anti-rotation micro disc on the Safety MD-Transporter base a few times to ensure proper functioning. The Bracket Pro Serie 221 should be easily inserted and locked in position after the click sound and easily removed when using the quick release mechanisms. 	<input type="checkbox"/>	<input type="checkbox"/>
Feet (Figure 8 and Figure 9)		
<ul style="list-style-type: none"> - Visually inspect the (4) feet to ensure there is no damage or chemical attack, loose parts and that the hardware is in good condition. 	<input type="checkbox"/>	<input type="checkbox"/>
<hr/> Daily safety checks completed on (dd/mm/yyyy), by <hr/>		
Comments and observations: <hr/> <hr/> <hr/> <hr/> <hr/> <hr/> <hr/> <hr/> <hr/> <hr/> <hr/> <hr/> <hr/> <hr/> <hr/> <hr/> <hr/> <hr/> <hr/> <hr/> <hr/> <hr/> <hr/> <hr/> <hr/> <hr/>		

3.3. Illustrated Inspection Points

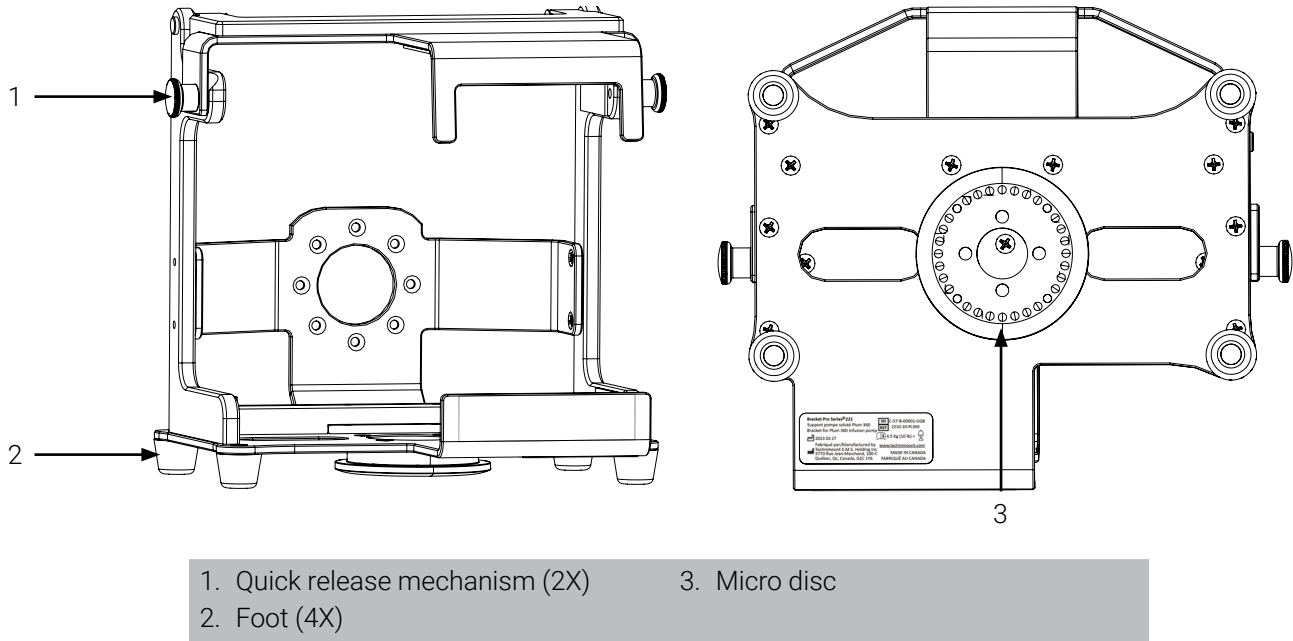


Figure 8: Bracket Pro Serie 221 with bottom mount inspection points (front and bottom illustrated)

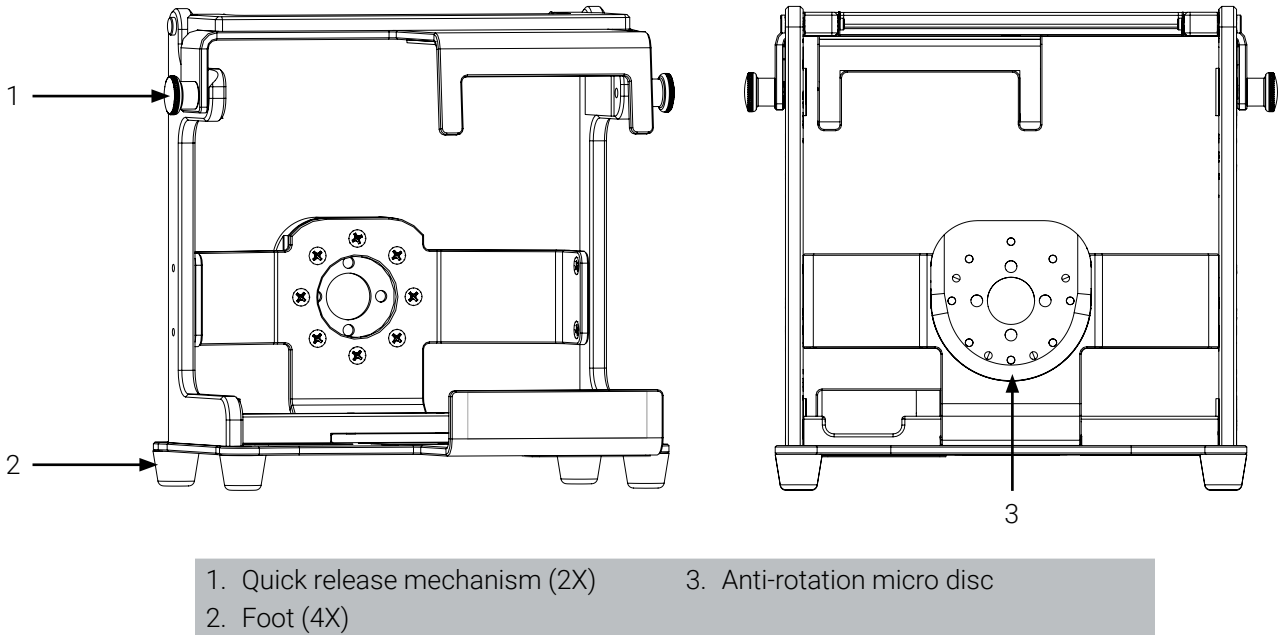
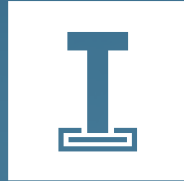


Figure 9: Bracket Pro Serie 221 with rear mount inspection points (front and rear illustrated)



TECHNIMOUNT EMS[®]

Technimount EMS offers mounting solutions that can be installed on ambulance counters, walls and stretchers which allows for the device to follow the patient throughout the continuum of care. Our unparalleled level of flexibility allows for maximum operability in EMS, hospital and military environments.

Technimount EMS is driven to offer innovative solutions that respond to the unique device management needs of emergency and Critical Care Transport (CCT) teams for ground and air ambulances. Safety is at the core of our values, all Technimount systems are tested in compliance with the highest industry standards for impact resistance. Technimount EMS is committed to developing innovative solutions as healthcare practices evolve.

TECHNIMOUNT E.M.S. HOLDING INC.

3770 Jean Marchand Street, Suite 100-C
Quebec (QC) G2C 1Y6
Canada
T + 1 581.700.6613
TF + 1 888.639.2758 (North America)

technimount.com